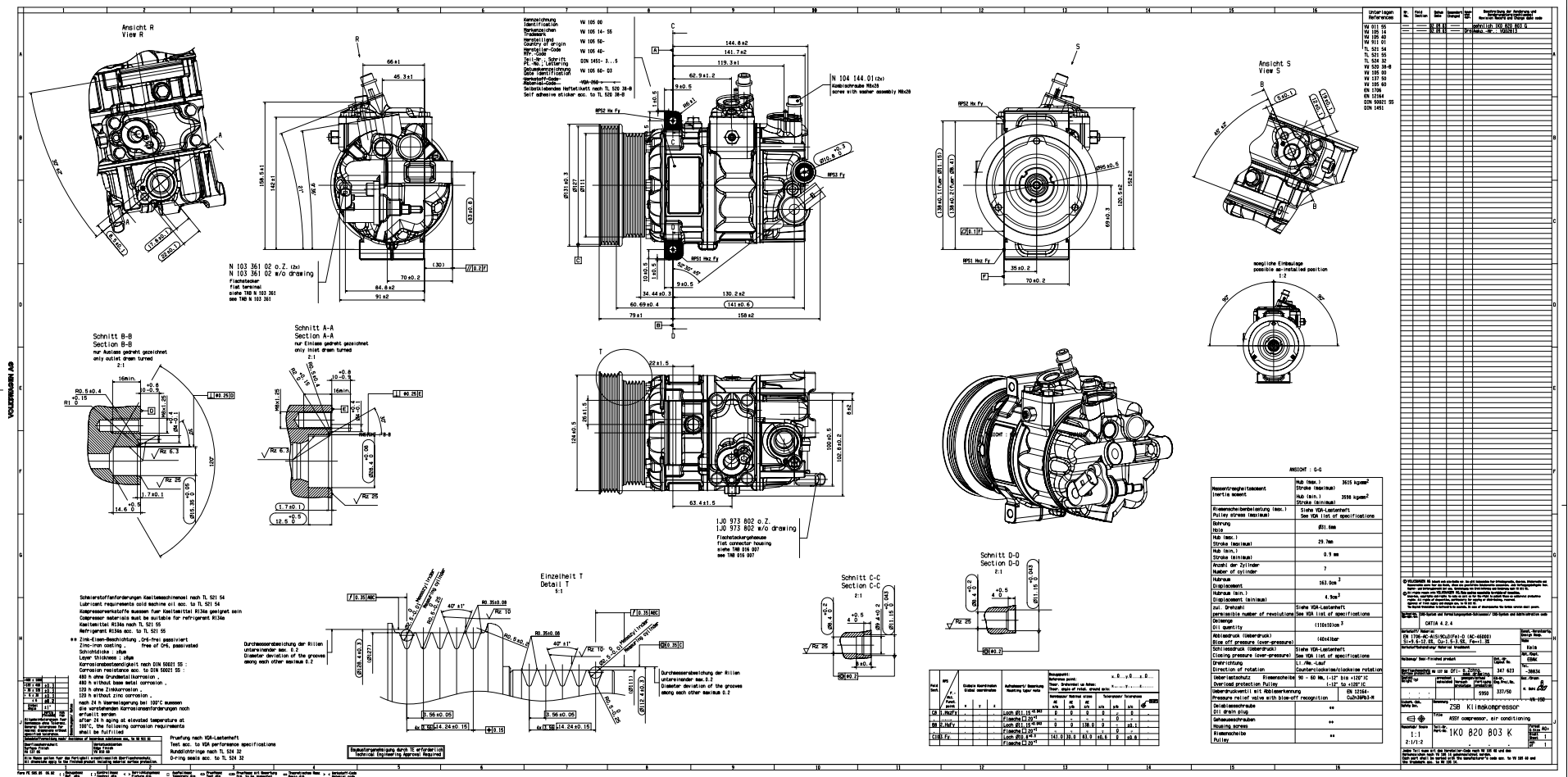


PCDN	REV	APPLY DATE	REVISIONS	SVN	ESGN	CHK	APPV
			INITIAL RELEASE REFERENCE DATA FILE: 16082007-02000-1030001015				



Order No.	Material	Part No.	Quantity	Remarks
W 111 55
W 112 55
W 113 55
W 114 55
W 115 55
W 116 55
W 117 55
W 118 55
W 119 55
W 120 55
W 121 55
W 122 55
W 123 55
W 124 55
W 125 55
W 126 55
W 127 55
W 128 55
W 129 55
W 130 55
W 131 55
W 132 55
W 133 55
W 134 55
W 135 55
W 136 55
W 137 55
W 138 55
W 139 55
W 140 55

- NOTES:
- P/N 1K0 820 803 K IS A CUSTOMER PART NUMBER FOR REFERENCE ONLY.
 - DIMENSIONS MARKED \diamond ARE TOLERANCED ELSEWHERE IN THE DRAWING. DIMENSIONS MARKED 'REF.' ARE FOR REFERENCE.
 - GD&T TOLERANCING SUBJECT TO UPDATE.
 - DO NOT SCALE.
 - COMPLETE LIST OF CUSTOMER SPECIFICATIONS TO WHICH THIS COMPRESSOR CONFORMS IS TBD.

REV. LEVEL	RELEASED FOR PRODUCTION	DATE	BY	APPV
A	OK Sokolowski	1/18/04	R. G. Gurney	
REV. LEVEL	RELEASED FOR DESIGN VALIDATION	DATE	BY	APPV
A	R. G. Gurney	1/19/04		
REV. LEVEL	RELEASED FOR PRODUCTION VAL. p.	DATE	BY	APPV
A	RG JC	1/19/04		
REV. LEVEL	RELEASED FOR PRODUCTION	DATE	BY	APPV
A	RG JC	1/19/04		

SANDEN
SANDEN INTERNATIONAL (U.S.A.), INC.
SCALE: REF NONE PLATTER NONE METRIC

This drawing and the information contained herein are CONFIDENTIAL and PROPRIETARY to Sanden International (U.S.A.), Inc. and are released in CONFIDENCE and shall not be used, copied, or disclosed to others without the written permission of Sanden International (U.S.A.), Inc.

INTERPRETATION OF THIS DRAWING PER
ASME Y14.5M-1994

THIRD ANGLE PROJECTION

MATERIAL: 1K0 820 803 K

NAME: COMPRESSOR

DWG. NO.: 8688A-6000

REV. A